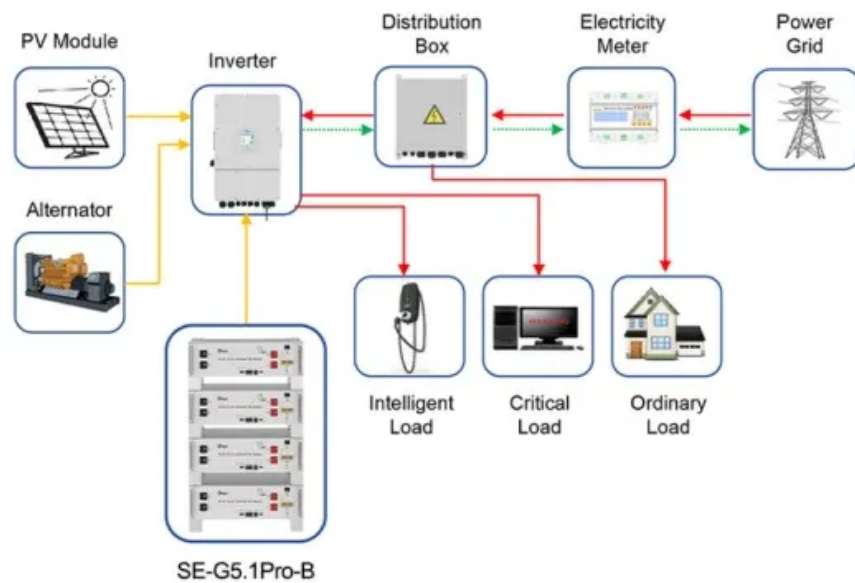


A-Core Container

Bahamas solar New Energy Storage



Application scenarios of energy storage battery products



Overview

Bahamas Power and Light (BPL) has announced significant plans to develop large-scale solar power projects integrated with battery storage, a move set to enhance energy reliability across the islands. Will the Bahamas build utility-scale solar power?

For the first time, The Bahamas is on the path to building utility-scale solar power across our islands. Large photovoltaic (PV) solar arrays will capture the energy from the sun and send it to our country's electricity grid. What steps are required as The Bahamas moves forward with utility-scale solar power, and what are the costs?

.

How does solar power work in the Bahamas?

Large photovoltaic (PV) solar arrays will capture the energy from the sun and send it to our country's electricity grid. What steps are required as The Bahamas moves forward with utility-scale solar power, and what are the costs?

Island-by-island planning. Every one of our inhabited islands is different, and requires a unique set of solutions.

Is solar a good option in the Bahamas?

On a kilowatt-hour (kWh) by kilowatt-hour basis, solar's your best, but you need to add battery energy storage capacity in order to reach higher levels of penetration," he noted. "Nassau's [the Bahamas' largest city] is a pretty big grid, and it can take a fair bit of solar without storage," Burgess continued.

How does a comprehensive energy policy work in the Bahamas?

Our comprehensive energy policies work together to modernize our system and bring electricity prices down in The Bahamas. 70MW of solar power and 35MW of Battery Energy Storage Systems will be integrated into the existing

grid.

How will a new energy system affect the Bahamas?

Comprehensive upgrades to our country's transmission and distribution infrastructure, and switching from heavy and diesel fuels to solar power and natural gas, will create new efficiencies and reduce the price of electricity in The Bahamas. But it won't happen overnight - it will take time to upgrade our grid and to integrate cleaner energy.

How will the family Islands solar power system work?

Development of the four solar-fueled power systems will set the stage to scale the Family Islands solar program across the island chain's outlying islands, as well as contribute to the Bahamas achieving a national goal of renewable energy resources meeting 30% of electricity needs by 2030.

Bahamas solar New Energy Storage

Contact Us

For catalog requests, pricing, or partnerships, please visit:
<https://a-core.pl>