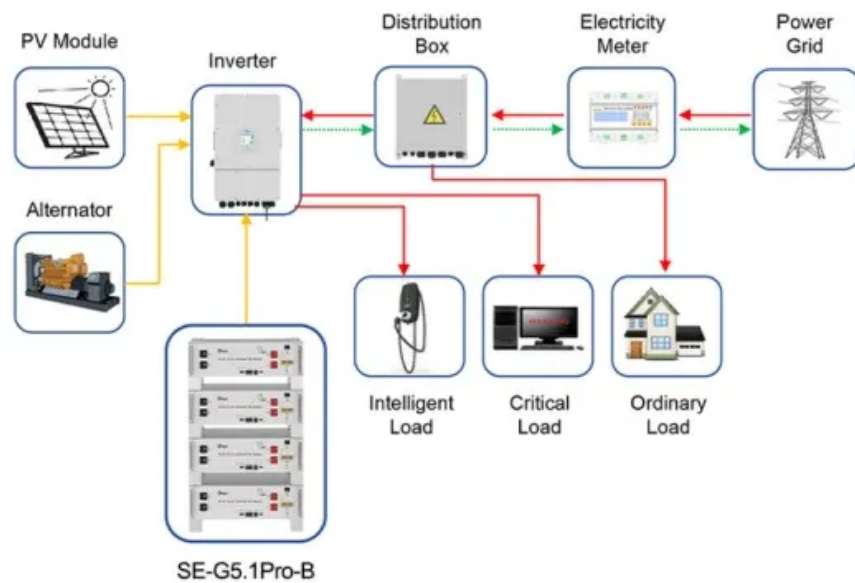


## A-Core Container

# Price of imported solar panels in Serbia



Application scenarios of energy storage battery products



## Overview

---

The cost of installing solar panels in Serbia varies depending on several factors, including system size and roof type, but it generally ranges from €1,000 to €1,200 per installed kilowatt. Therefore, a six-kilowatt solar system would require a minimum investment of €6,000.

The cost of installing solar panels in Serbia varies depending on several factors, including system size and roof type, but it generally ranges from €1,000 to €1,200 per installed kilowatt. Therefore, a six-kilowatt solar system would require a minimum investment of €6,000.

According to data from January of this year, more than 4,300 prosumers were registered in the Prosumer Register of Electricity Distribution of Serbia with a total installed capacity of more than 84 MW and a growing trend. More and more citizens and entrepreneurs are recognizing the benefits of.

Discover comprehensive insights into the statistics, market trends, and growth potential surrounding the solar panel manufacturing industry in Serbia. The number of hours of solar radiation in Serbia is 1500-2200 hours per year. The average intensity of solar radiation in Serbia is 1200-1550.

Sol Navitas manufactures complete systems in the field of photovoltaic systems with an emphasis on quality because it installs the highest quality materials from world-famous manufacturers. Watkraft Hungary Operations Kft. In 2020, Serbia's first wind and solar auctions were held, which marks the.

Several factors influence the installation cost of solar panels, including the system size, equipment type, roof type, and necessary documentation. On average, the installation price for a solar system in Serbia ranges from 1,000 to 1,200 EUR per kilowatt of installed power. For a 6 kW solar.

Investing in solar panels in Serbia is increasingly attractive due to rising electricity prices and falling equipment prices. Although the investment brings savings and contributes to a healthier environment, administrative obstacles and high costs still prevent wider implementation. Profitability.

The cost of installing solar panels in Serbia varies depending on several factors, including system size and roof type, but it generally ranges from €1,000 to €1,200 per installed kilowatt. Therefore, a six-kilowatt solar system would require a minimum investment of €6,000. Interest in solar panels.

## Price of imported solar panels in Serbia

---

### Contact Us

---

For catalog requests, pricing, or partnerships, please visit:  
<https://a-core.pl>